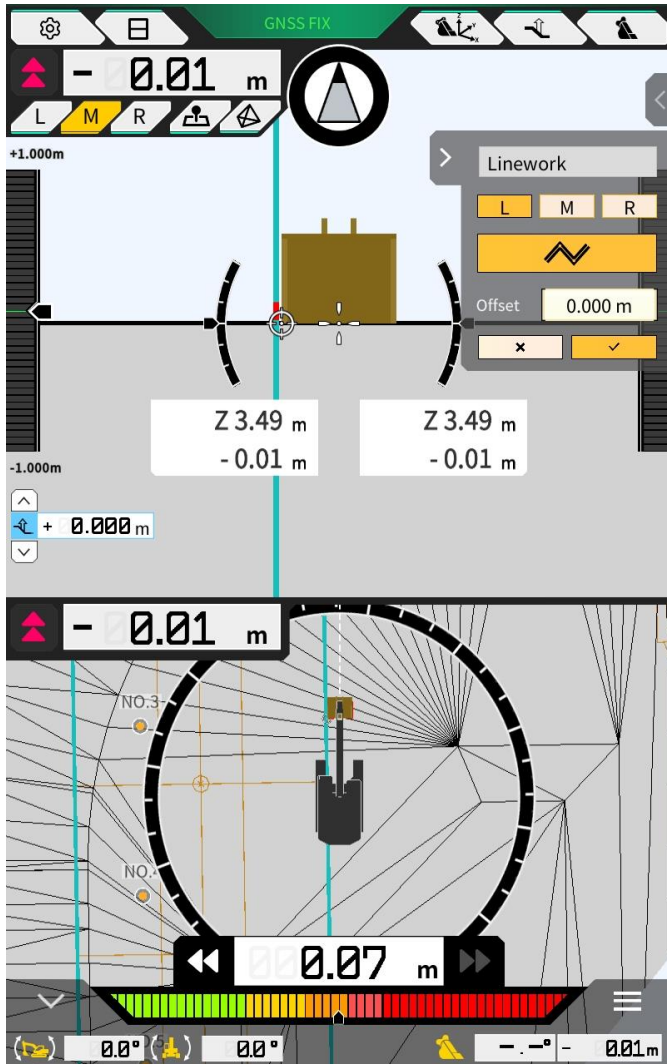

A large sunburst graphic with many thin blue lines radiating from a central point, positioned behind the main text.

Smart Construction Pilot v1.0.06 Updates

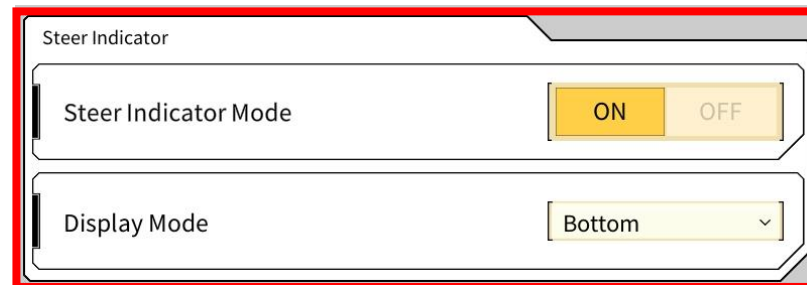
This function provides horizontal guidance for selected polylines.



To use this function, select a project file that contains linework. When you select a polyline from a button  in the side panel, the indicator will appear on the guidance screen.

The settings can be changed in Application Settings. Steer Indicator Mode : When you turn it OFF, “Side panel” in the guidance screen disappears. The default is ON.

Display Mode : In the case of 2 screen display, Steer Indicator display can be selected “Middle” or “Bottom”.



This function makes it easy to use the 3D machine guidance by creating a target surface at the bucket cutting edge position, without having to use localization or design data.

'Height adjustment' and 'Incline adjustment' create target surfaces and enable 3D machine guidance.



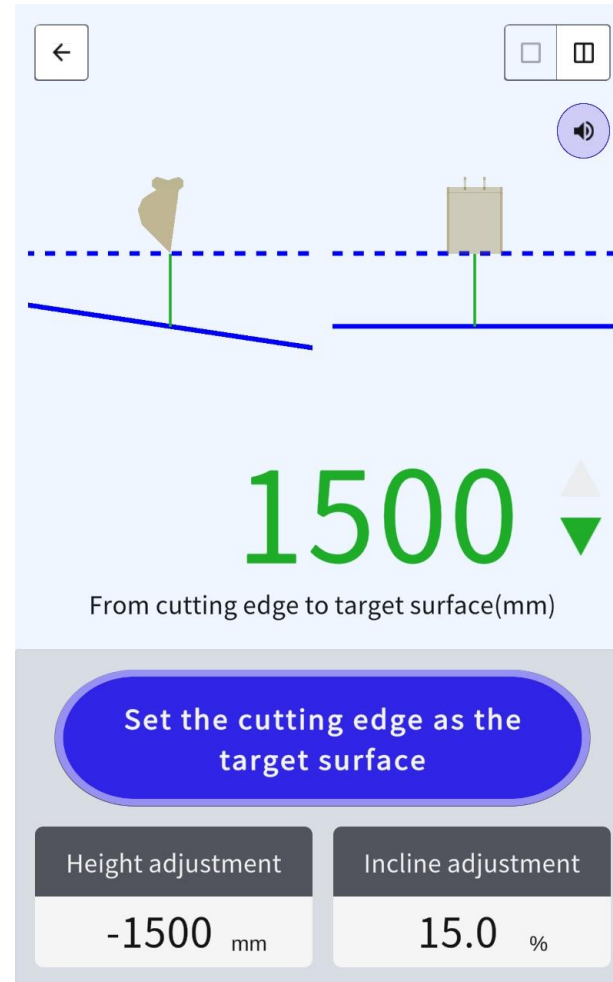
0000

From cutting edge to target surface(mm)

Set the cutting edge as the target surface

Height adjustment: --- mm

Incline adjustment: --- %



1500

From cutting edge to target surface(mm)

Set the cutting edge as the target surface

Height adjustment: -1500 mm

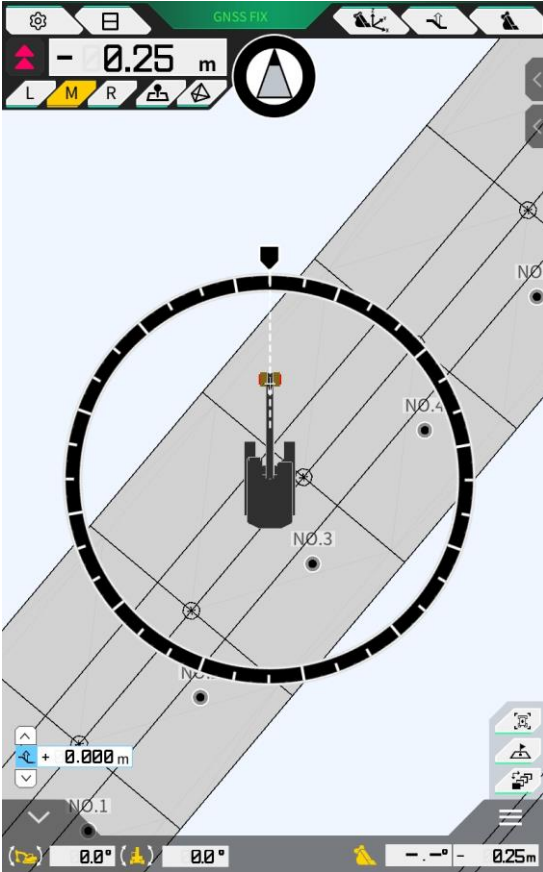
Incline adjustment: 15.0 %

Important

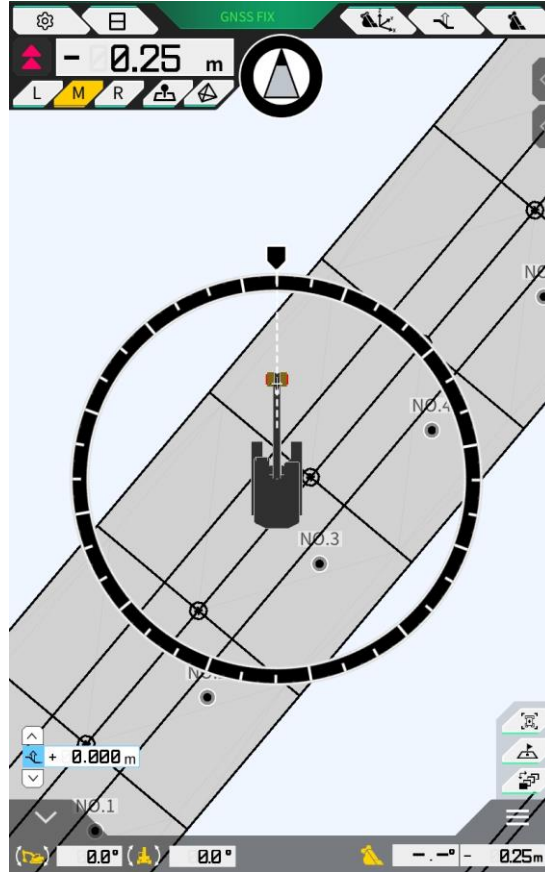
- Machine calibration, bucket settings, GNSS settings, and the like should be carried out in advance on the "Machine Guidance".
- Since there are no menus for changing various settings in 3DMG Basic, please also handle error responses and the like on the "Machine Guidance".
- Payload cannot be used with this function.

The linework can now be selected from three thicknesses, “Bold”, “Normal” and “Thin”.

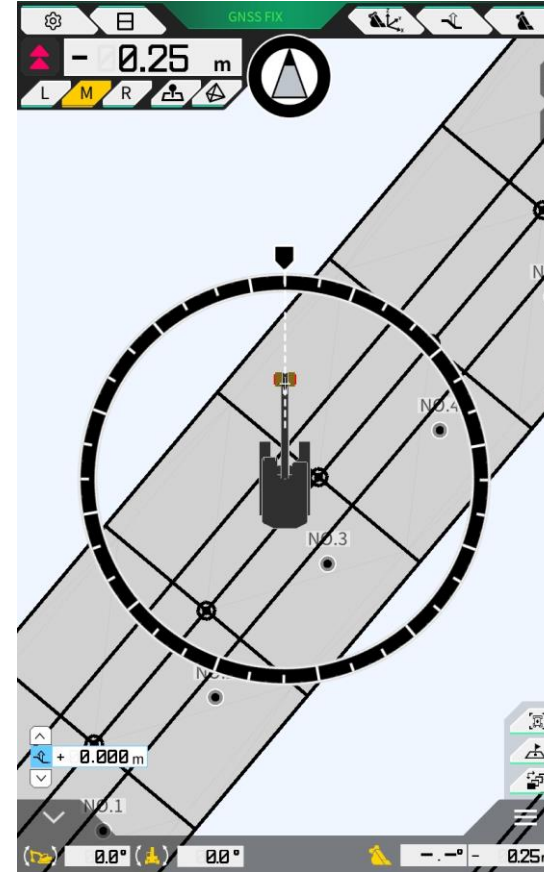
The linework thickness can be changed in the Application Settings. The default is “Normal”.



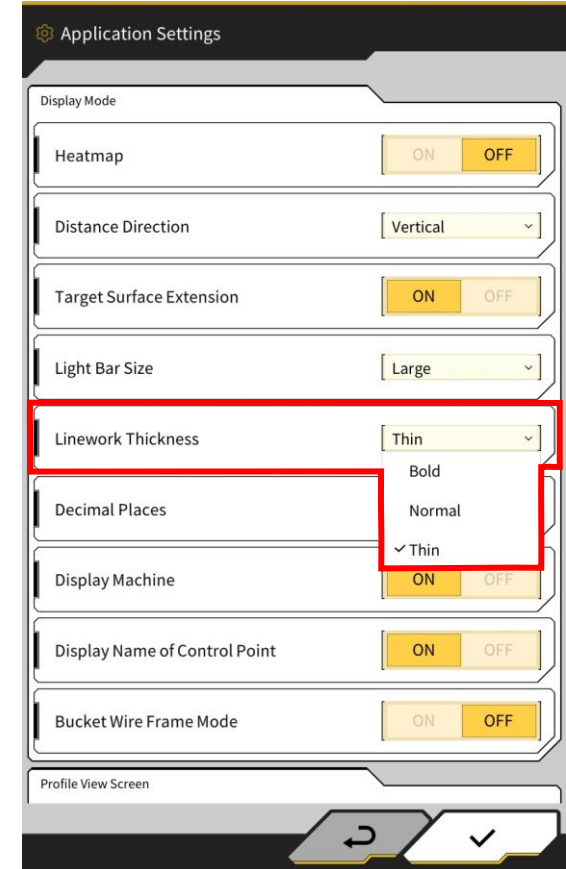
[Thin]



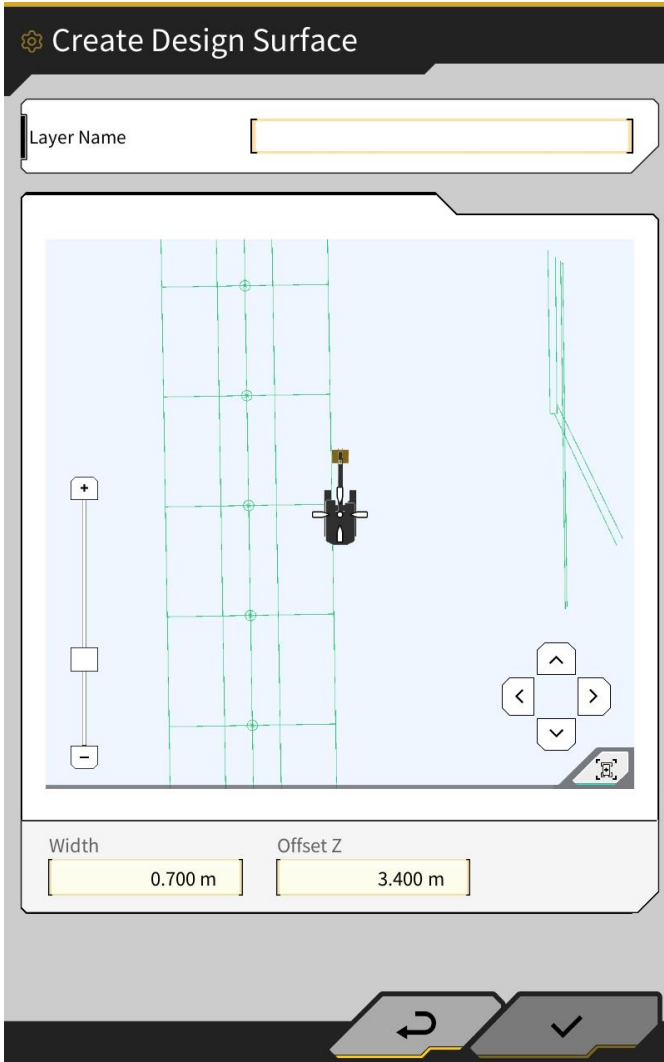
[Normal]



[Bold]



Added zoom slider and crosshairs to improve Create Design Surface screen usability.



A zoom slider and crosshairs have been added to improve usability when selecting linework.

Show loading icon when it takes time to load project file.

When loading a large project file, a black screen was displayed, so the loading icon will now be displayed.

License and Copyright can be checked from the common settings.

Now License and Copyright can be viewed in the common settings.

Improve the performance when a project file contain a lot of linework.

Improved drawing performance for projects with a lot of linework.

The distance from the bucket's cutting edge to the design surface changes even though it is stationary.

Fix a bug when machine is still and no digging is happening, the cut/fill bounces between the machine being on-grade and then it will change to the offset depth.

Red line on the bottom of the bucket in Profile View is hidden by the bucket and not shown.

Fixed an issue where the red line that displayed the bottom of the bucket was not displayed correctly.

